

RZC000031

MT5-Cable Direct connect MT500 &
SIEMENS S7-200 Series



Introduction :

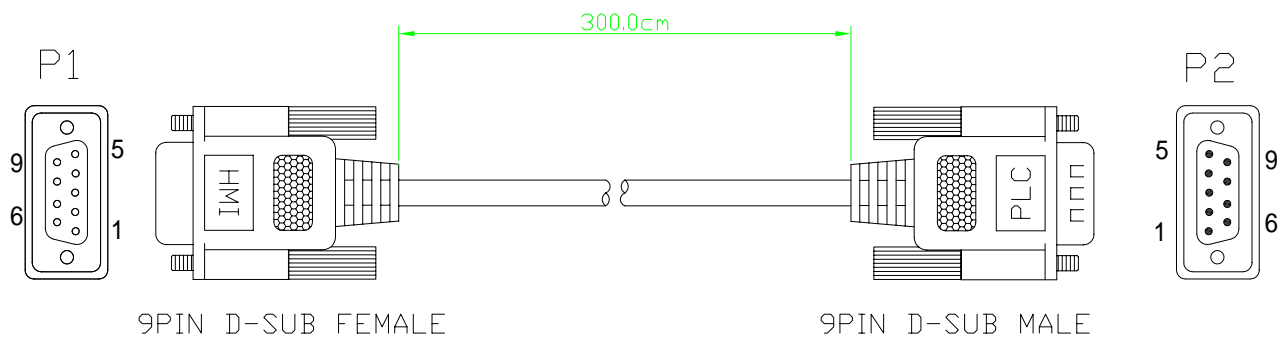
SIEMENS S7-200 series PLC,
CPU212/CPU214/CPU215/CPU216/CPU
221/CPU222/CPU224/ CPU226

MT8000 must use RZC004850 with
RZC000031 connect to S7-200 or S7-300
MPI Direct.

Specification:

I/F Type: RS485w
MHI port: 9Pin D-SUB Female
PLC port: 9Pin D-SUB Male
Cable Length: 300cm

Wiring diagram:



EasyView MT500
PLC RS485
9pin D-Sub

SIEMENS PLC
S7-200 CPU
PPI port
9pin D-Sub

| | | | |
|---|-----|---|-----|
| 1 | RX- | 8 | D- |
| 2 | RX+ | 3 | D+ |
| 5 | GND | 5 | GND |